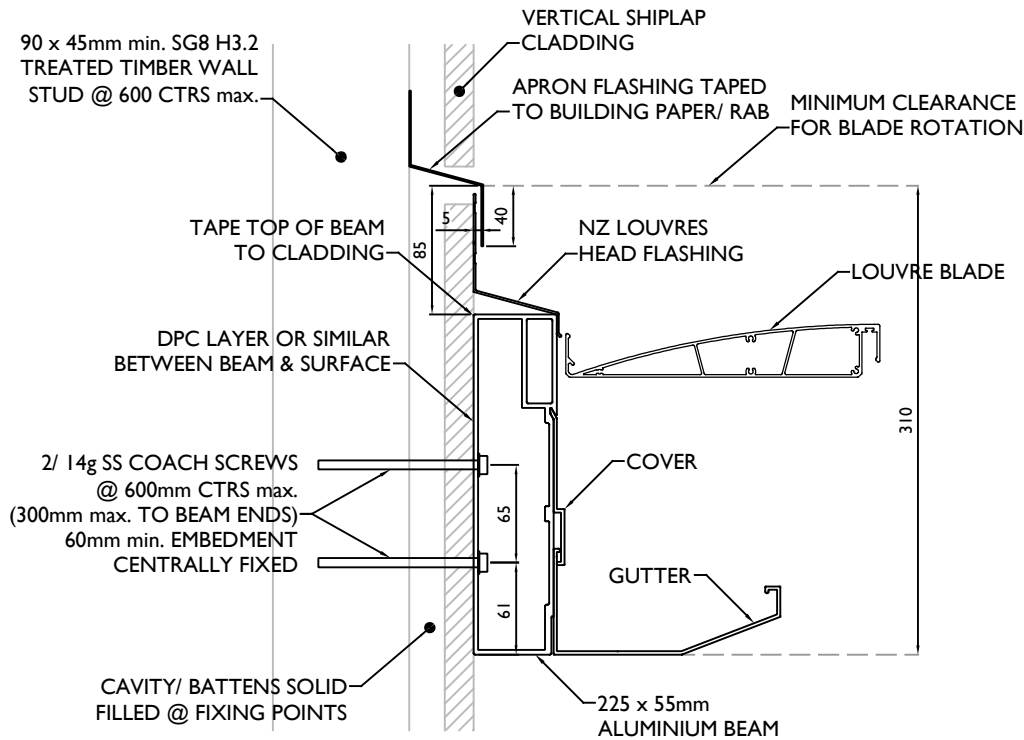


**BF-DF/VSL**

**COMPULSARY 12mm min. AIR GAP BETWEEN BEAM & SURFACE IF NO FLASHING INSTALLED**

**TIMBER STRINGERS INSTALLED TO FRAMING IF STEEL FRAMED HOUSE**



CLIENT	DRAWING TITLE	1:5 (A4)	SCALE	A	ISSUE
	BEAM FIXING DIRECT FIX VERTICAL SHIPLAP				
PROJECT NO.	DRAWING REF	26.05.2023	DATE	P.D	DRAWN BY
					FRAME / BLADE COLOUR