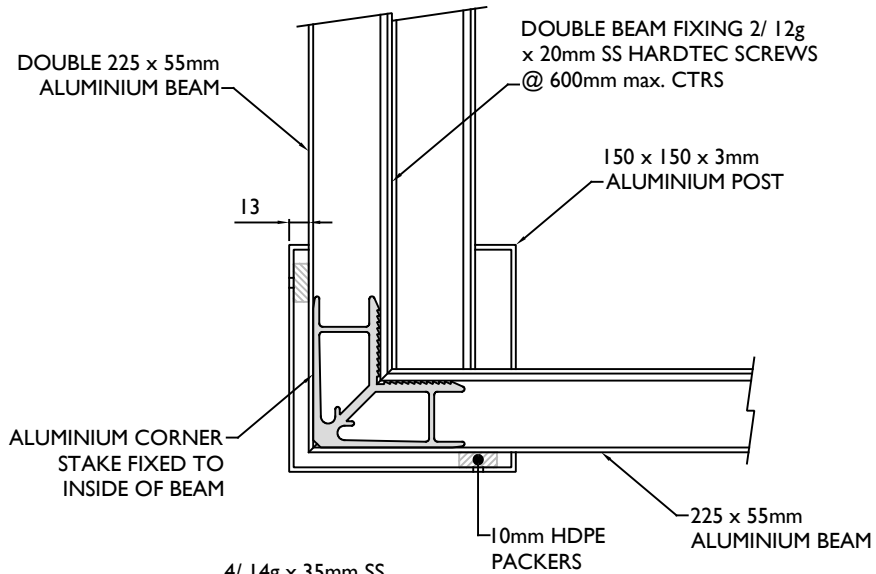


PC-CNR/INT



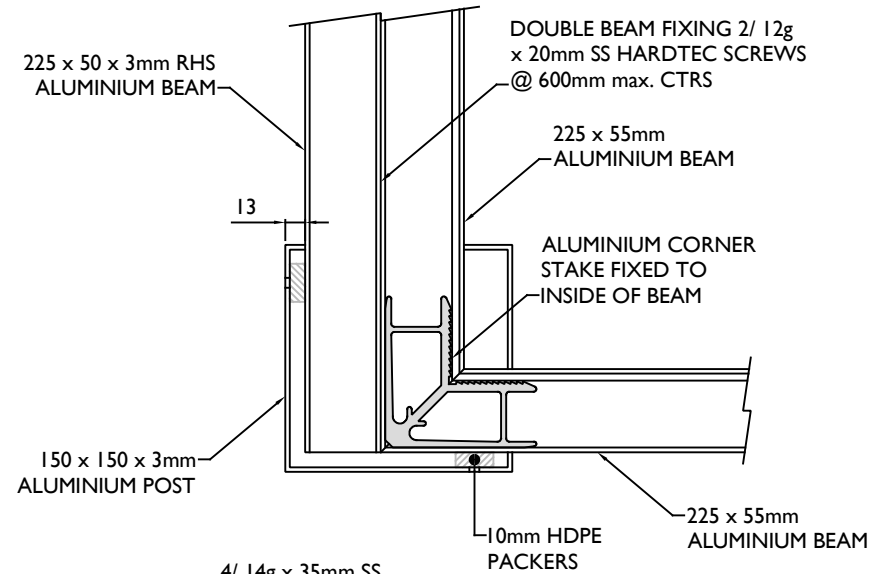
4/ 14g x 35mm SS HARDTEC SCREWS

3/ 10g x 19mm SS SCREWS

150 x 150 x 3mm ALUMINIUM POST

225 x 55mm ALUMINIUM BEAM

PC-CNR/EXT



4/ 14g x 35mm SS HARDTEC SCREWS

225 x 55mm ALUMINIUM BEAM

3/ 10g x 19mm SS SCREWS

150 x 150 x 3mm ALUMINIUM POST

225 x 55mm ALUMINIUM BEAM



CLIENT

POST TOP CONNECTION
CORNER INT/ EXT DOUBLE BEAM

DRAWING TITLE

1:5 (A4)

SCALE

ISSUE

B

PC-CNR/INT EXT

DRAWING REF

01.07.2022

DATE

DRAWN BY

P.D

PROJECT NO.

FRAME / BLADE COLOUR