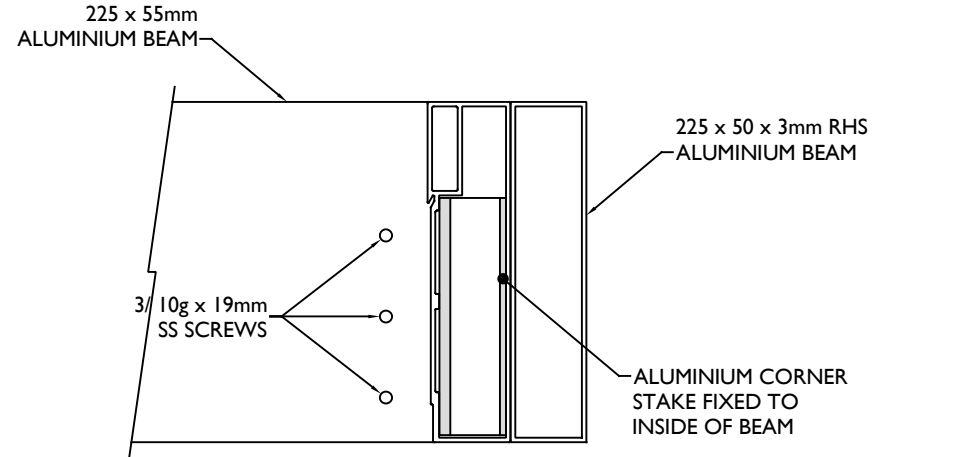
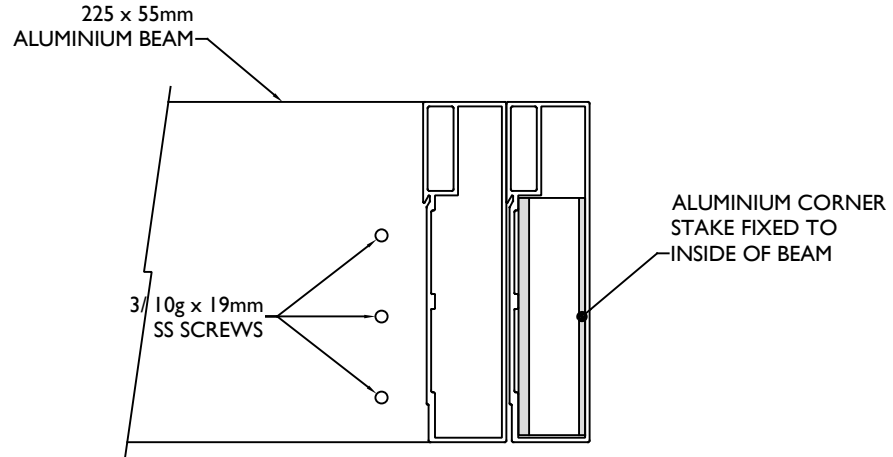
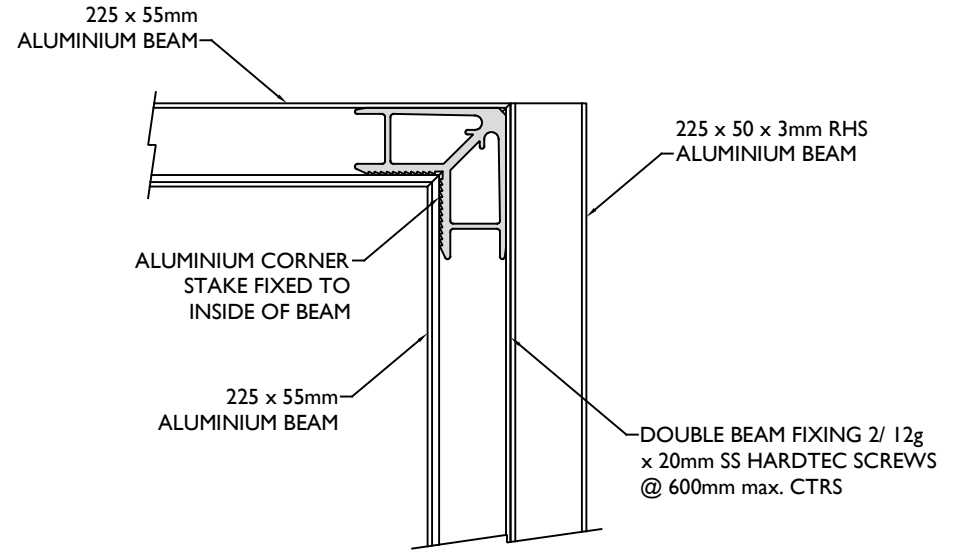
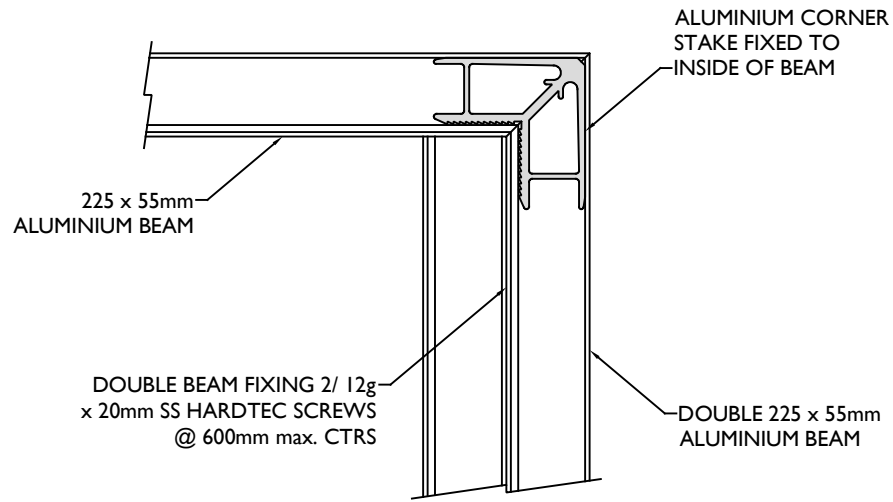


BC-CNR/INT

BC-CNR/EXT



CLIENT	DRAWING TITLE	SCALE	ISSUE
	BEAM CONNECTION CORNER INT/ EXT DOUBLE BEAM	1:5 (A4)	B
PROJECT NO.	DRAWING REF	DATE	DRAWN BY
	BC-CNR/INT EXT	01.07.2022	P.D
			FRAME / BLADE COLOUR