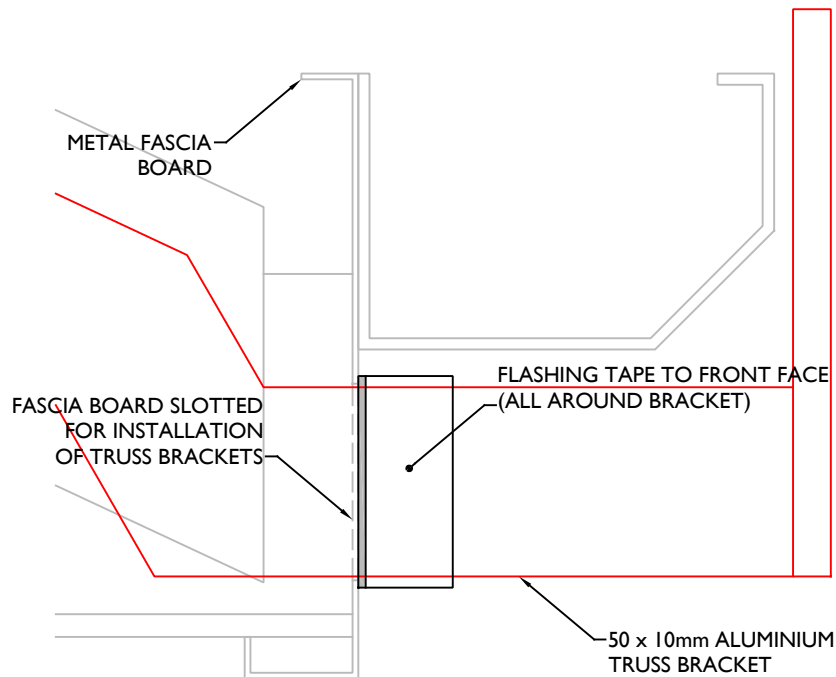
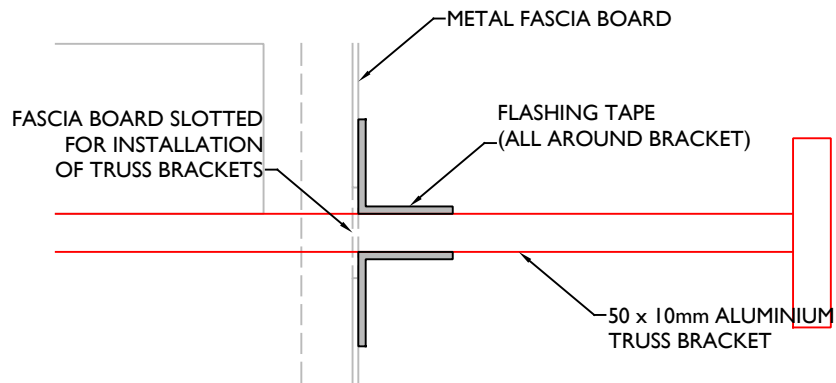
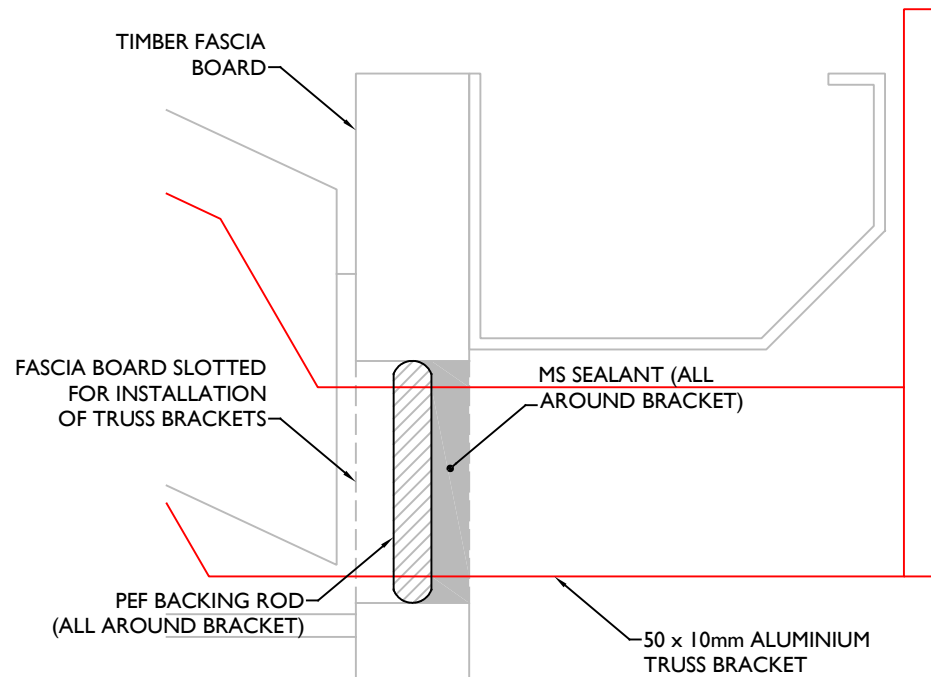
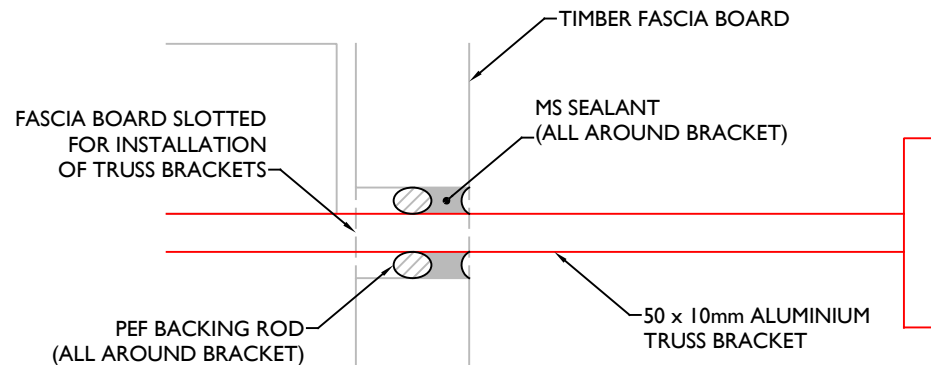


METAL FASCIA BOARD



TIMBER FASCIA BOARD



CLIENT

DRAWING TITLE  
BEAM FIXING – TRUSS BRACKET  
FASCIA BOARD PENETRATION

DRAWING NO.

DATE 11.10.2021

SCALE 1:2 (A4)

DRAWN BY P.D

ISSUE A