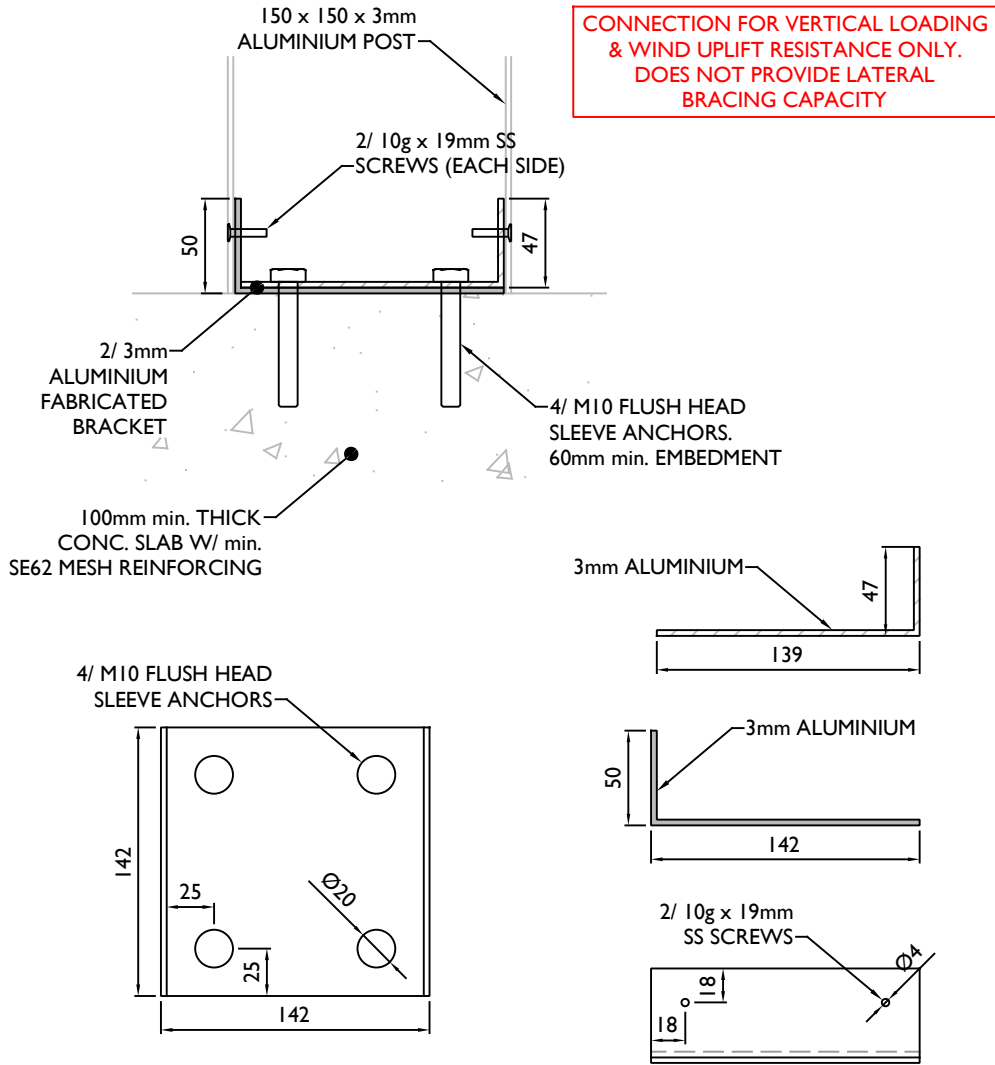
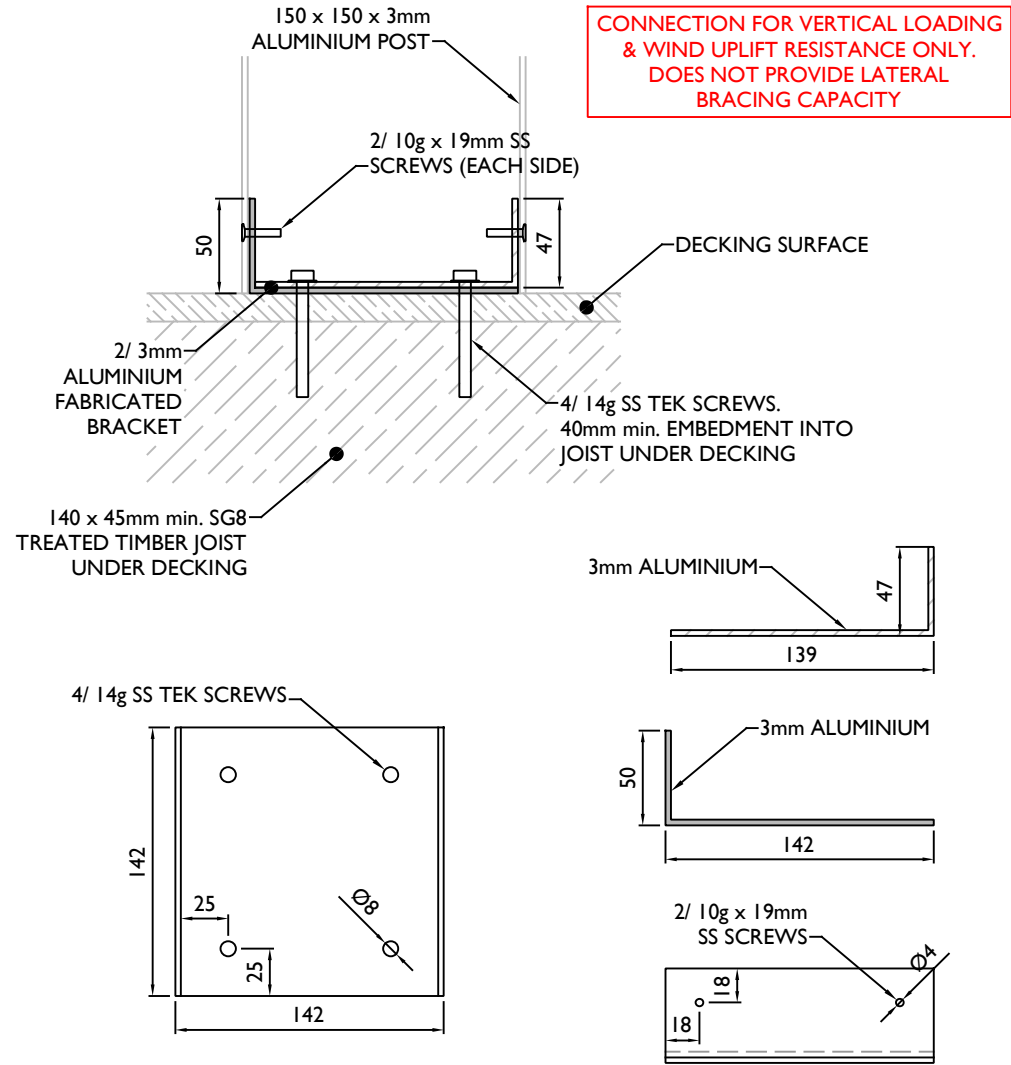


PFC-FMP



CONNECTION FOR VERTICAL LOADING & WIND UPLIFT RESISTANCE ONLY. DOES NOT PROVIDE LATERAL BRACING CAPACITY

PFC-FMD



CONNECTION FOR VERTICAL LOADING & WIND UPLIFT RESISTANCE ONLY. DOES NOT PROVIDE LATERAL BRACING CAPACITY



| | | | |
|-------------|---|------------|----------------------|
| CLIENT | DRAWING TITLE | SCALE | ISSUE |
| | POST FOOTING CONNECTION FLUSH MOUNT TO PATIO/ DECK | 1:4 (A4) | B |
| PROJECT NO. | DRAWING REF | DATE | DRAWN BY |
| | PFC-FMP/D | 01.07.2022 | P.D |
| | | | FRAME / BLADE COLOUR |