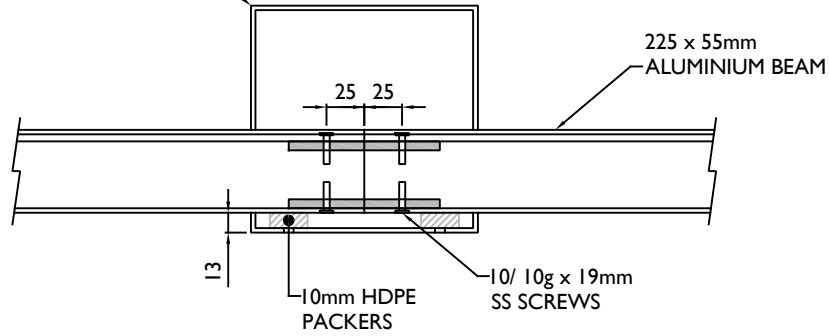


PC-SDF/BJ/STR

150 x 150 x 3mm  
ALUMINIUM POST



225 x 55mm  
ALUMINIUM BEAM

25 25

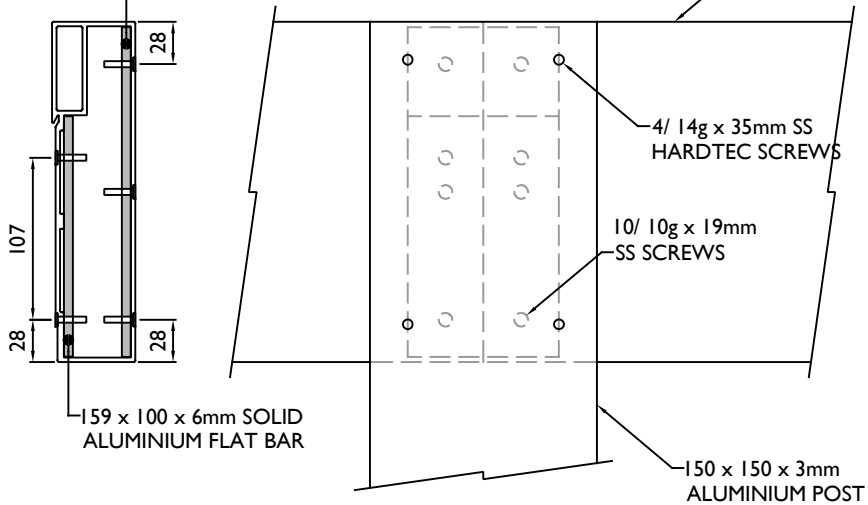
13

10mm HDPE  
PACKERS

10/ 10g x 19mm  
SS SCREWS

218 x 100 x 6mm SOLID  
ALUMINIUM FLAT BAR

225 x 55mm  
ALUMINIUM BEAM



4/ 14g x 35mm SS  
HARDTEC SCREWS

10/ 10g x 19mm  
SS SCREWS

159 x 100 x 6mm SOLID  
ALUMINIUM FLAT BAR

150 x 150 x 3mm  
ALUMINIUM POST



CLIENT

POST TOP CONNECTION  
SIDE FIXING BUTT-JOIN STRAIGHT

DRAWING TITLE

1:5 (A4)

SCALE

B

ISSUE

PC-SDF/BJ/STR

DRAWING REF

01.07.2022

DATE

DRAWN BY  
P.D

PROJECT NO.

FRAME / BLADE COLOUR