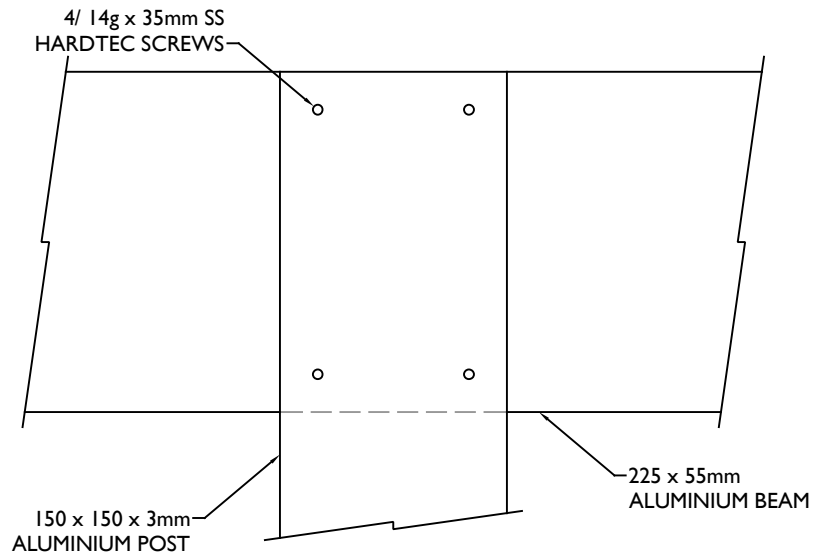
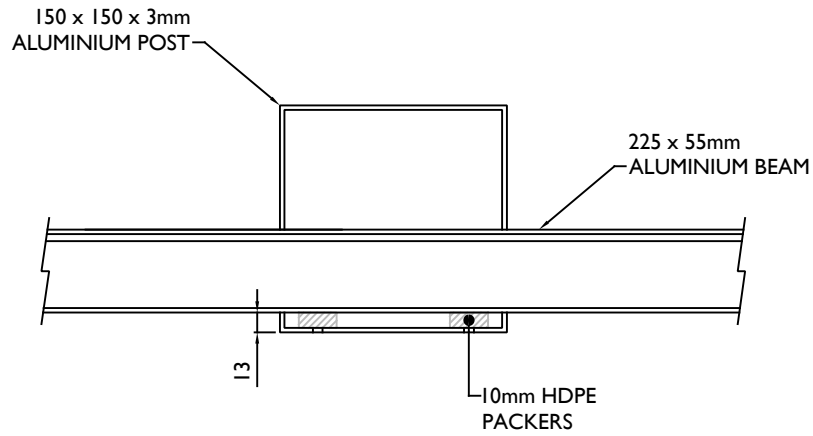


PC-SDF



CLIENT	DRAWING TITLE	SCALE	ISSUE
	POST TOP CONNECTION SIDE FIXING	1:5 (A4)	B
PROJECT NO.	DRAWING REF	DATE	DRAWN BY
	PC-SDF	01.07.2022	P.D
			FRAME / BLADE COLOUR