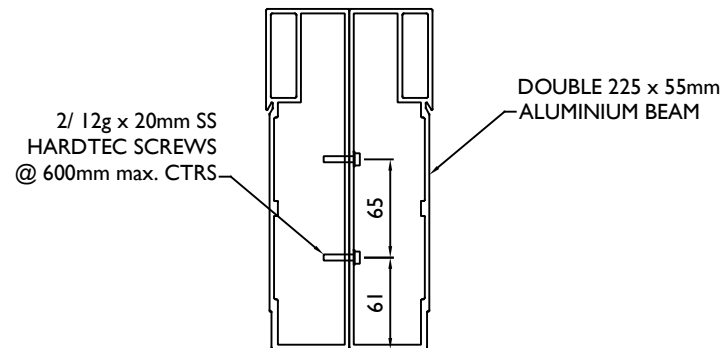
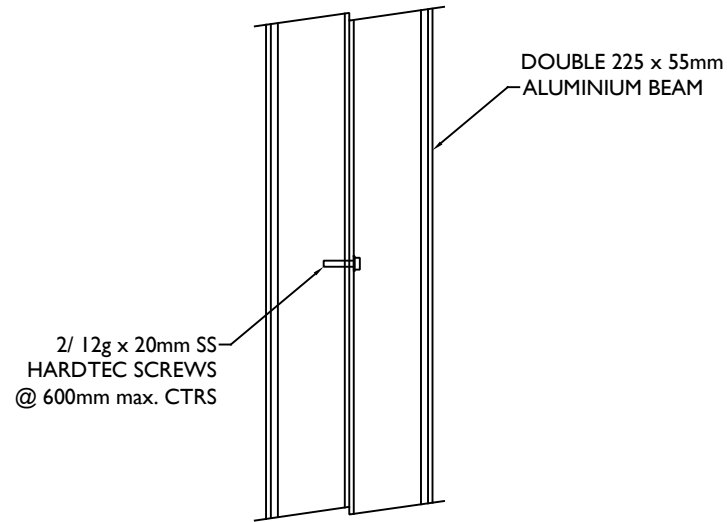
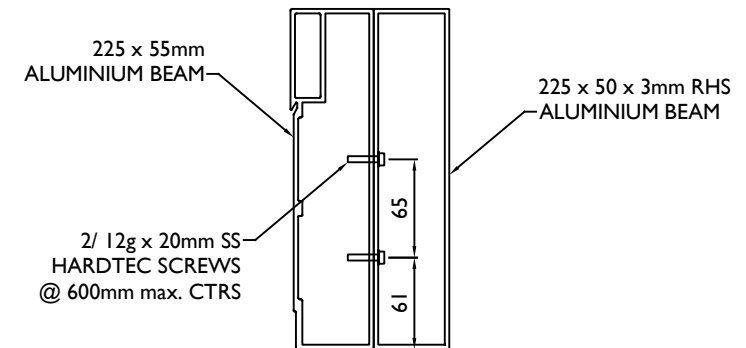
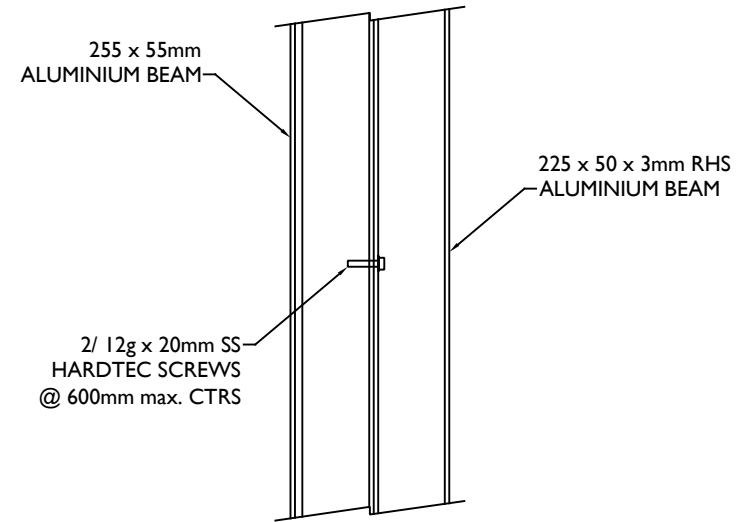


**BC-DBL**



**BC-DBL/50**



CLIENT	DRAWING TITLE	SCALE	ISSUE
		1:5 (A4)	B
PROJECT NO.	BC-DBL	DRAWING REF	DRAWN BY
		01.07.2022	P.D
		FRAME / BLADE COLOUR	