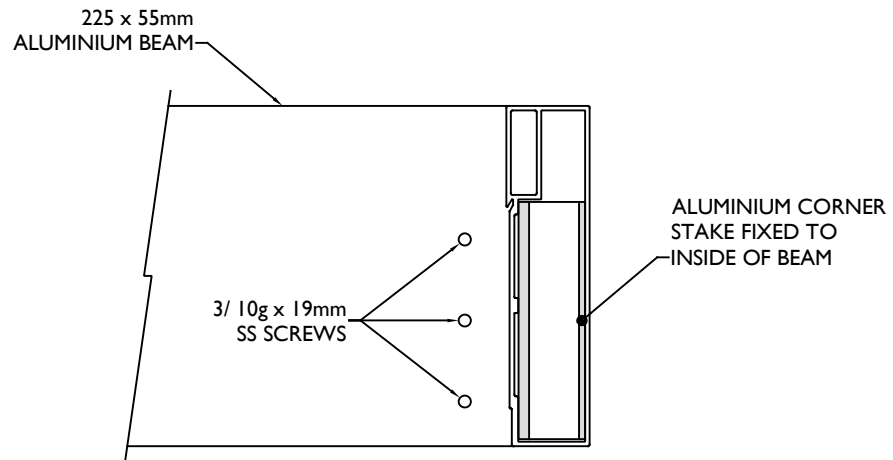
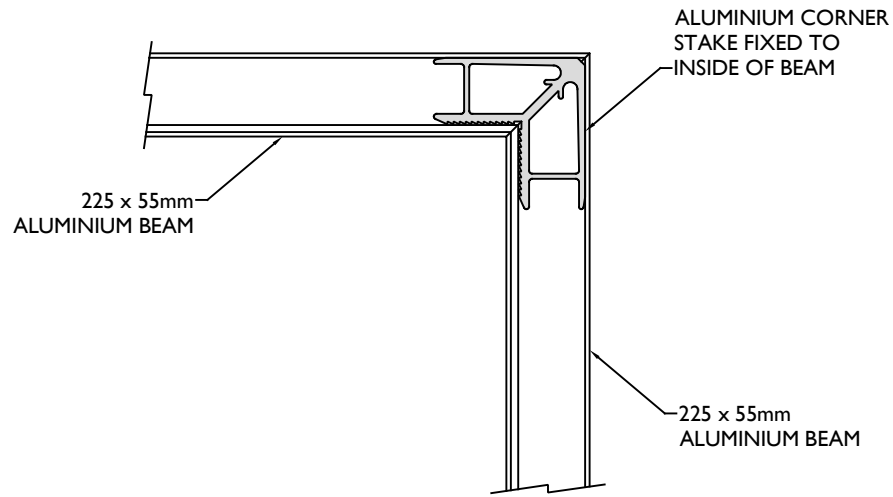
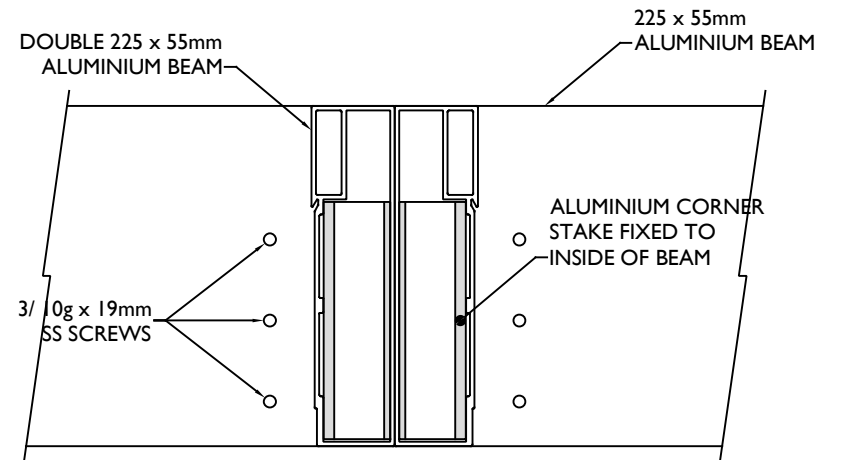
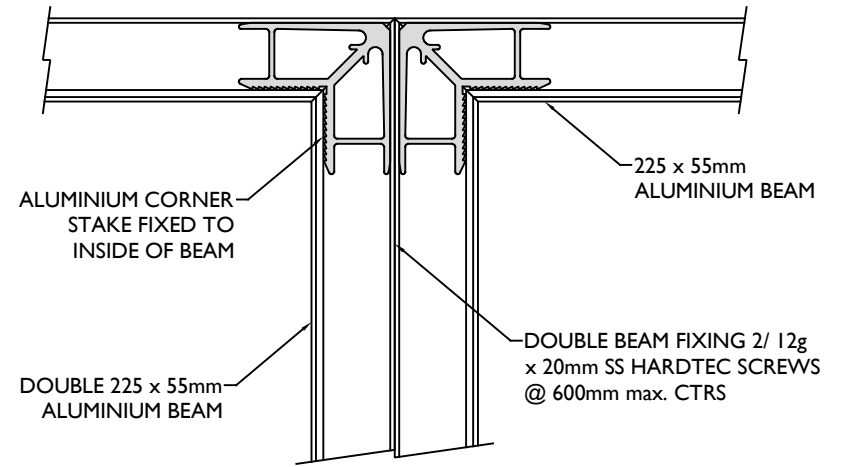


BC-CNR



BC-CNR/DBL



CLIENT	DRAWING TITLE	SCALE	ISSUE
	BEAM CONNECTION CORNER MITRE	1:5 (A4)	B
PROJECT NO.	DRAWING REF	DATE	DRAWN BY
	BC-CNR	01.07.2022	P.D
			FRAME / BLADE COLOUR