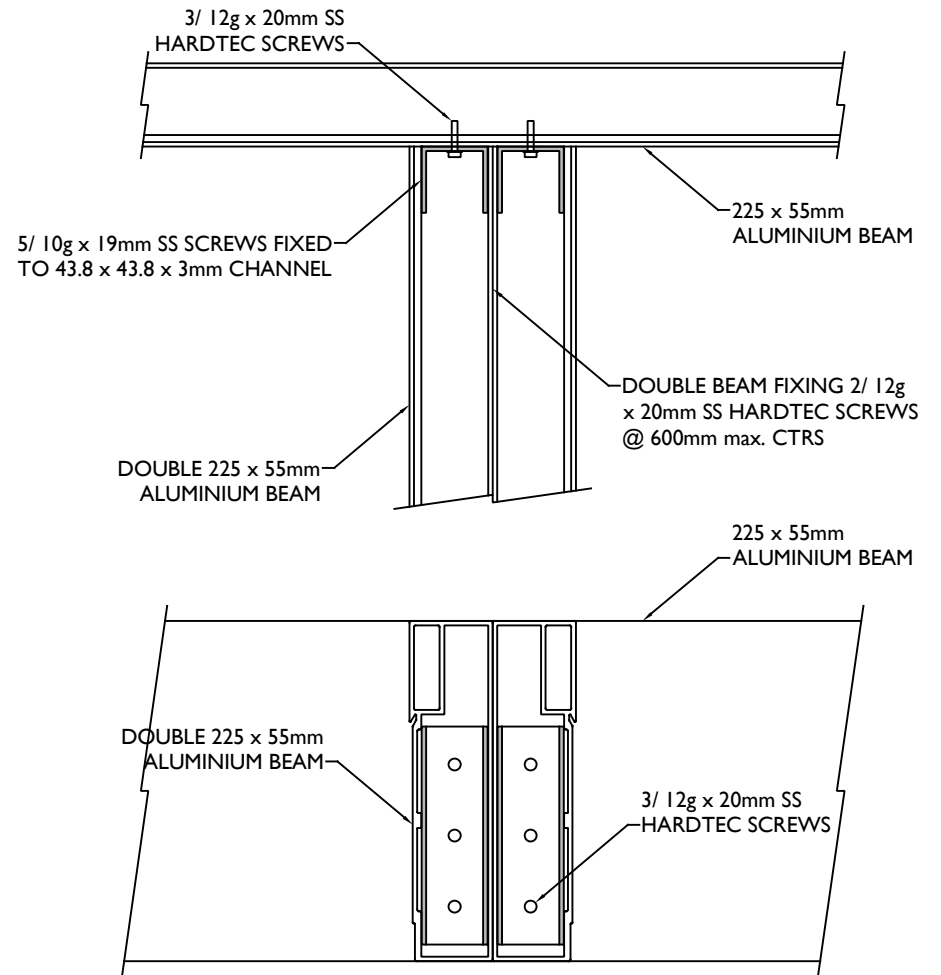
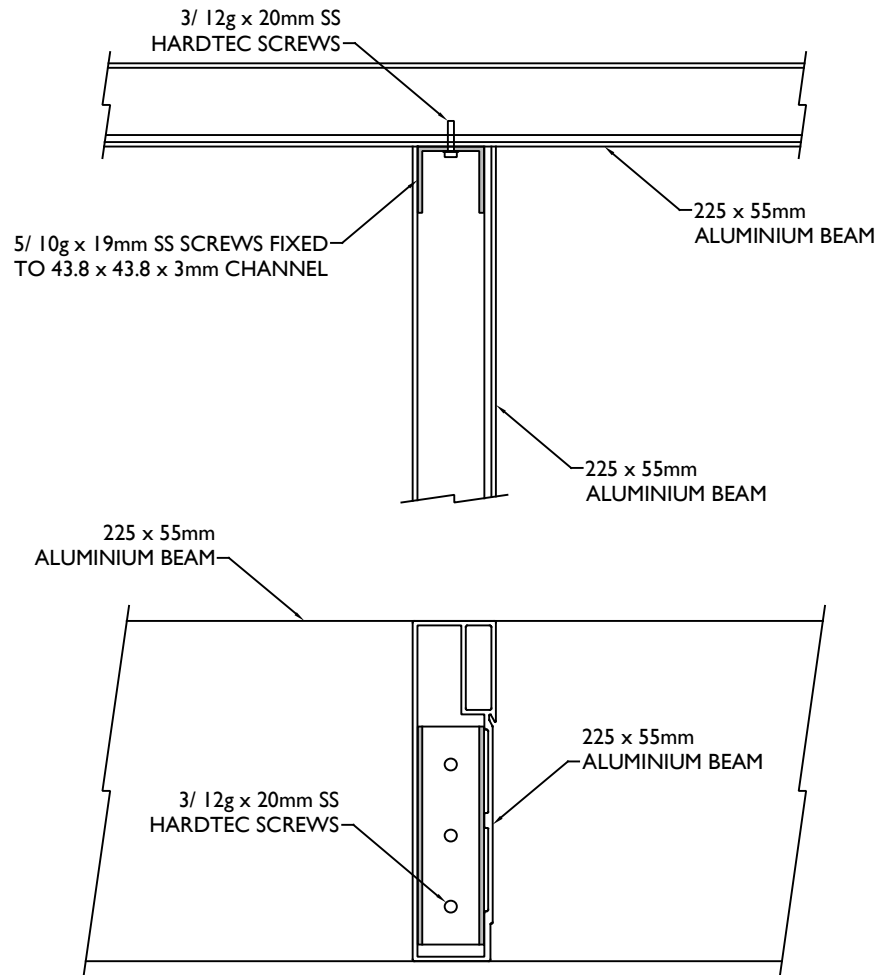


BC-BJ90

BC-BJ90/DBL



CLIENT	DRAWING TITLE	SCALE	ISSUE
	BEAM CONNECTION BUTT-JOIN 90°	1:5 (A4)	B
PROJECT NO.	DRAWING REF	DATE	DRAWN BY
	BC-BJ90	01.07.2022	P.D
			FRAME / BLADE COLOUR